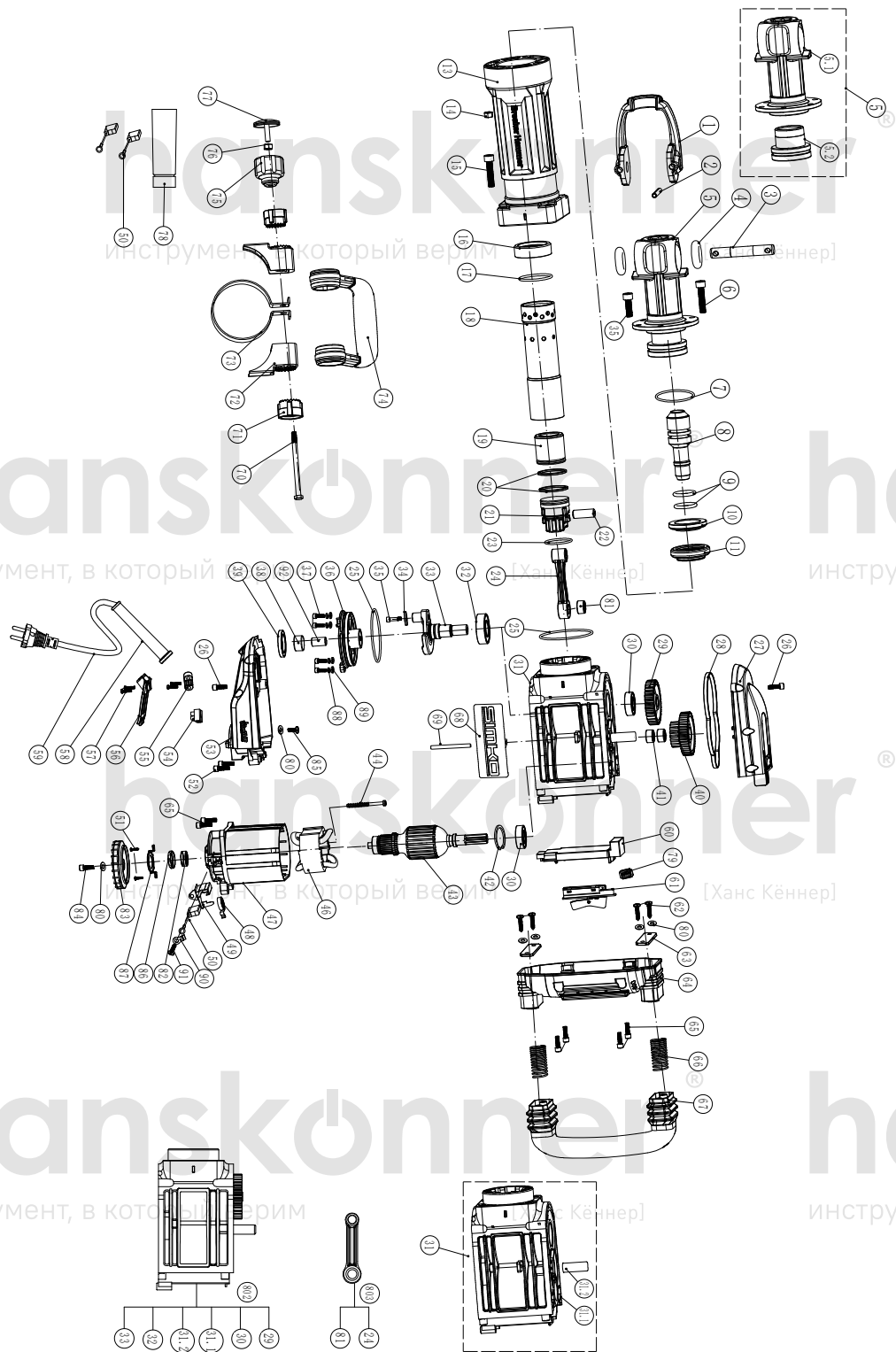


HDH1828H



No.	Description	No.	Description
1	Chisel Chuck	47	Stator Assy's
2	Spring Column PinΦ8×55	48	Helical spring
3	Locking Lever	49	Carbon brush wire
4	Clamp ring	50	Carbon Brush 220-240V
5	Front Cover Assembly	50	Carbon Brush 110-120V
5.1	Front Cover	51	ST4.2x10 Tapping Screw
5.2	Locating Sleeve	52	Hex .Socket Bolt M6x25
6	Hex .Socket Bolt M8×55(12.9)	53	Fan Cover
7	O RingΦ60×Φ3.3	54	Rivet
8	Impact Hammer	55	Cord Clip
9	Fluorin O-RingΦ30.2xΦ5.1	56	Blind flange
10	Limit ring	57	ST4.2×16 Tapping Screw
11	Shock absorption ring	58	Cord Armor
13	Aluminum Head	59	Cord
14	M8×9 Nut	60	Switch seat
15	Hex .Socket Bolt M10×55	61	Switch 220-240V
16	Cylinder seat	61	Switch 110-120V
17	Shock Absorption Ferrule	62	ST4.8×35 Tapping Screw
18	Cylinder	63	Guide plate
19	Impact Piston	64	Handle seat
20	Piston ring	65	Hex .Socket Bolt M6×15(12.9)
21	Gas Press Piston	66	Shock Absorption Spring
22	Piston PinΦ14×39	67	Main Handle
23	O-RingΦ39.4×Φ3.1	68	Scutcheon(Front Side)
24	Connecting Rod Ass'y	68	Scutcheon(Reverse Side)
25	O-RingΦ87×Φ3.5	69	PinΦ6×75
26	Hex .Socket Bolt M6×20	70	Hex .Socket Bolt M8 × 150
27	Cover	71	Disk with gap
28	Airproof Ring	72	Clamping
29	Final Gear	73	Side Handle Ass'y Steel Tie
30	Ball Bearing 6203 RS	74	Side Handle
31	Housing Assembly	75	Function Knob
31.1	Housing Ass'y	76	M8×6.4 Nut
31.2	PinΦ16×60	77	Function Knob cover
32	Ball Bearing 6205 RS	78	Oil Bottle
33	Crank Shaft	79	Electricity Feels
34	Φ8 Flat Washer Φ24xΦ8.4x2	80	Flat Washer Φ5.5xΦ16x1.5
35	Hex .Socket Bolt M8×30 (12.9)	81	Needle Bearing HK162216
36	Oil Tank Cover	82	NSK6000 Ball Bearing
37	Hex .Socket Bolt M4×12	83	Fan
38	Wool block1	84	Hex .Socket Bolt M5×14(12.9)
39	Cover plate	85	ST4.2×14 Tapping Screw
40	Double teeth	86	6000 Bearing Ring
41	HK1612 Needle Bearing	87	Bearing Washer
42	Φ40 Retaining Ring	802	Housing Assembly 2
43	Armature 220-230V	803	Connecting Assembly
43	Armature 240V	88	Φ4 Spring Washer
43	Armature 110-120V	89	Φ4 Flat Washer
44	ST4.8×65 Tapping Screw	90	Retainer
46	Stator 220-230V	91	ST4.2×14Tapping Screw
46	Stator 240V	92	Wool block2
46	Stator 110-120V		